

DATA SHEET

# Si-TT3



## Dual Input Thermometer



Dual channel K Thermocouple  
(2 probes included\*)



Backlit LCD screen



Magnetic backing



Carrying bag



Si-HVACR Measurement MobileApp



### Technical specifications

Parameter	Measuring units	Accuracy**	Measuring range	Resolution
Temperature	°C, °F	±0.4°C from 0 to 1300°C ±(0.3 % of value +0.4°C) from -200 to 0°C	-200 to +1300°C	0.1°C
		±0.8°F from 32 to 2372°F ±(-0.3% of value +0.8°F) from -328 to 32°F	-328 to 2372°F	0.1°F (1°F from 2000 to 2372°F)

\*Measuring range of the included probes: from -40 to +260°C (-40 to 500°F)

\*\*All the accuracies indicated in this technical datasheet were stated in laboratory conditions, and can be guaranteed for measurements carried out in the same conditions.

Google Play and the Google Play logo are trademarks of Google LLC.

App Store is a service mark of Apple Inc.

## General features

Measuring element	2x K Thermocouple wire probes, class 2 Visible welding, isolated PFA, 1 m (39.37") cable length Output on miniature male compensated connector
Connector	2 inputs for miniature female compensated connector
Display	Integrated 2-line LCD 7 segment monochrome display with backlight
Housing	ABS-PC and TPE. IP54
Keypad	1 ON/OFF & Backlight button 1 Hold/Min/Max/Live & Differential temp/ T1&T2 button
Standards & Directives	2011/65/EU RoHS II; 2012/19/EU WEEE; 2014/53/EU RED
Power supply	3 alkaline batteries LR03 AAA 1.5 V
Battery life	400 hours* (without backlight and without wireless communication)
Wireless communication	Range frequency from 2402 MHz to 2480 MHz with a transmit power of 0 dBm. Range up to 15 m (98 ft), depending on smartphone radio strength. Minimum required versions: Android 5.0, iOS 12.4, BLE 4.0
Ambiance	Air and neutral gas
Operating conditions	From -10 to +60°C (14 to 140°F). In non condensing conditions. Altitude: from 0 to 2000 m (6561').
Storage temperature	From -20 to +70°C (-4 to 158°F)
Auto shut-off	10 minutes (can be deactivated)
Weight (with batteries)	210 g (7.4 oz)
Weight (with batteries and 2 probes)	224 g (8 oz)

\*Battery life given at 20°C (68°F) with alkaline batteries

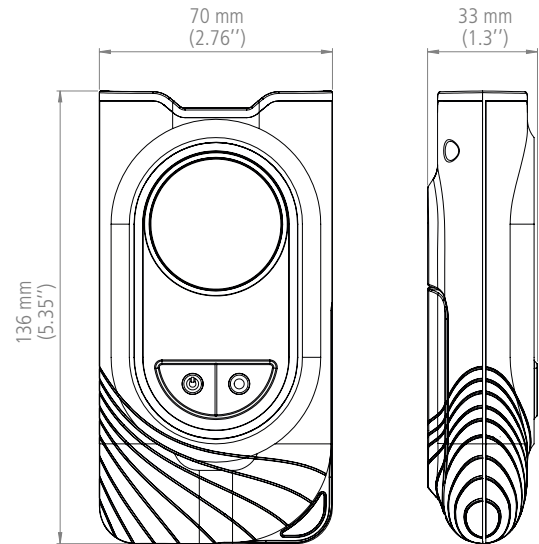
## Si-HVACR Measurement MobileApp

The Si-HVACR Measurement MobileApp allows the user to view and record measurements in real-time.

Main features:

- Easily view different parameters
- Browse saved measurements and data graphs (average, min & max values, etc.)
- Create reports (PDF, CSV, or XML) and add up to four (4) photos

## Dimensions



## Kit content

- 2x K Thermocouple wire probes, class 2, 1 m (39.37") cable length
- Certificate of conformity
- Quick Start Guide
- 3 alkaline batteries LR03 AAA 1.5 V
- Carrying bag

## Accessories

Name	Reference
Softcase	SIACCSC
1x K Thermocouple wire probe class 2. Visible welding, isolated PFA, 1 m (39.37") cable length. Output on miniature male compensated connector.	SIACCTC

## Warranty

Instruments have 2-year guarantee for any manufacturing defect.